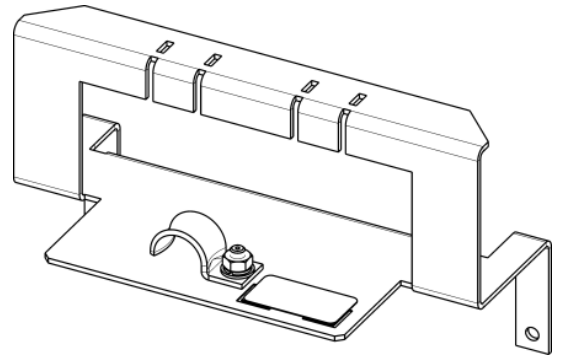


Darasheet



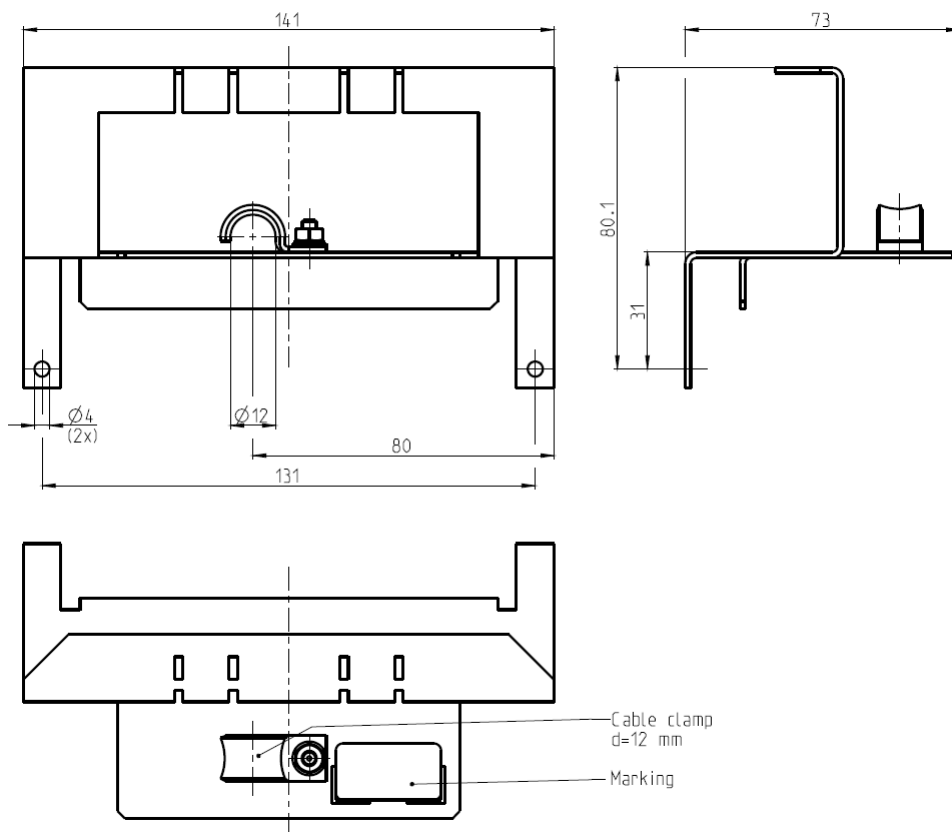
Cable holders for P1-00041-HFEF...P1-01470-HFEF

Ordering codes

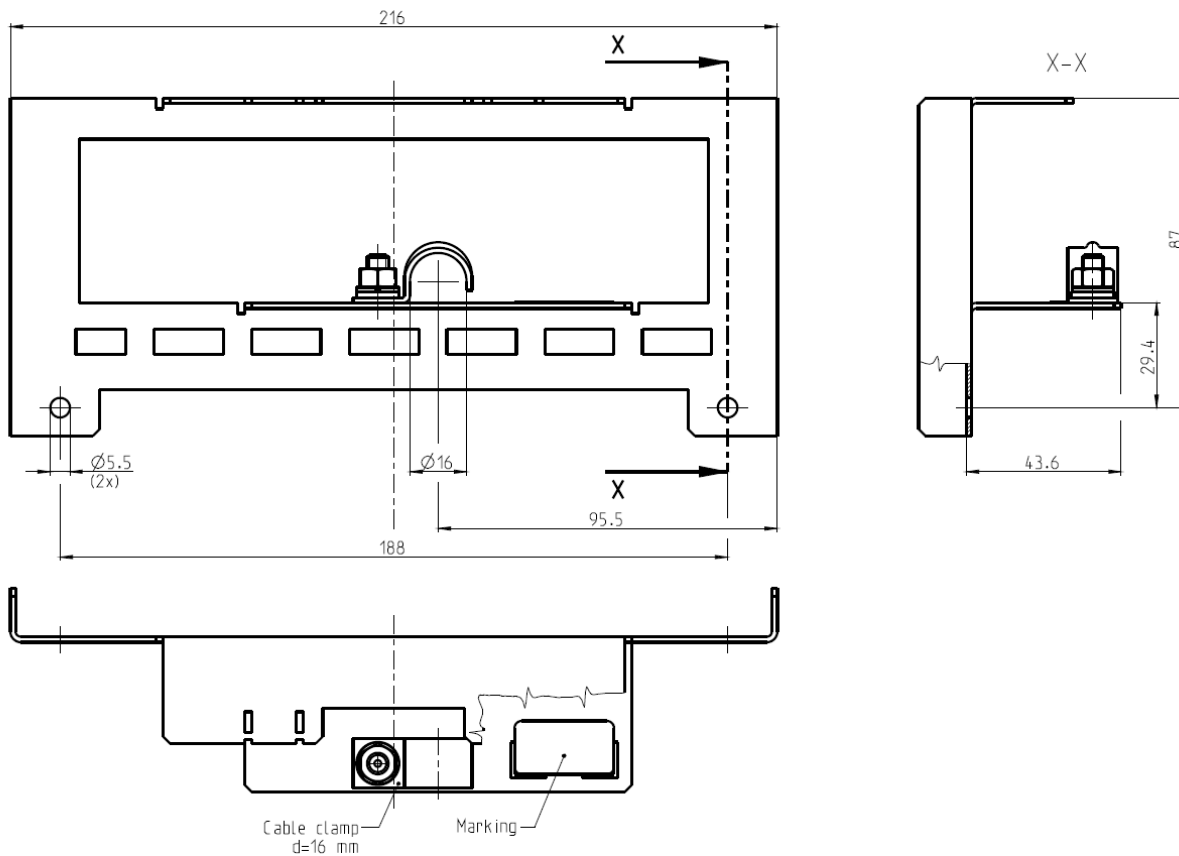
Model	Applicable inverter
SC-P1344-A	P1-(00041, 00054, 00083, 00126)-HFEE
SC-P1344-B	P1-(00175, 00250, 00310)-HFEE
SC-P1344-C	P1-(00400, 00470, 00620)-HFEE
SC-P1344-D	P1-00770-HFEE
SC-P1344-E	P1-(00930, 01160, 01470)-HFEE

Dimensions

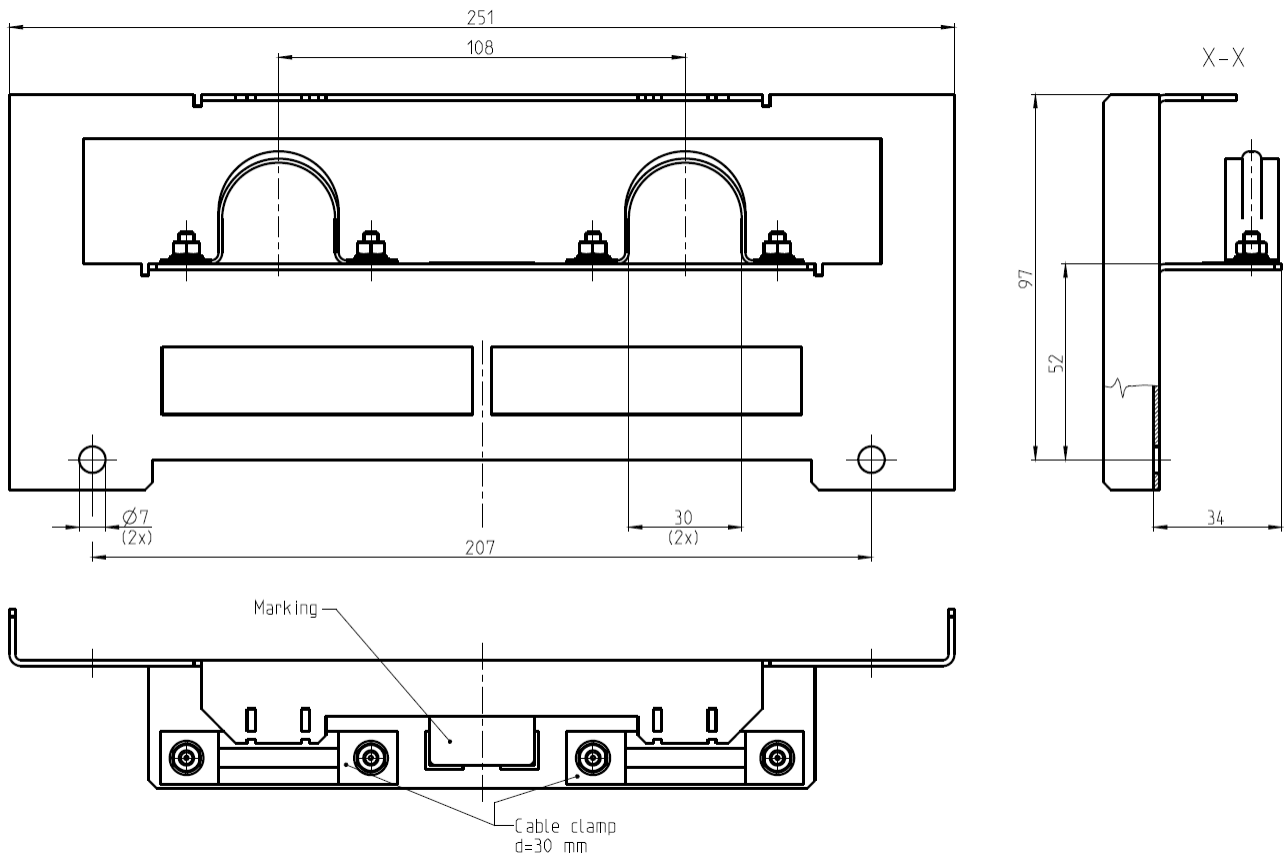
SC-P1340-A



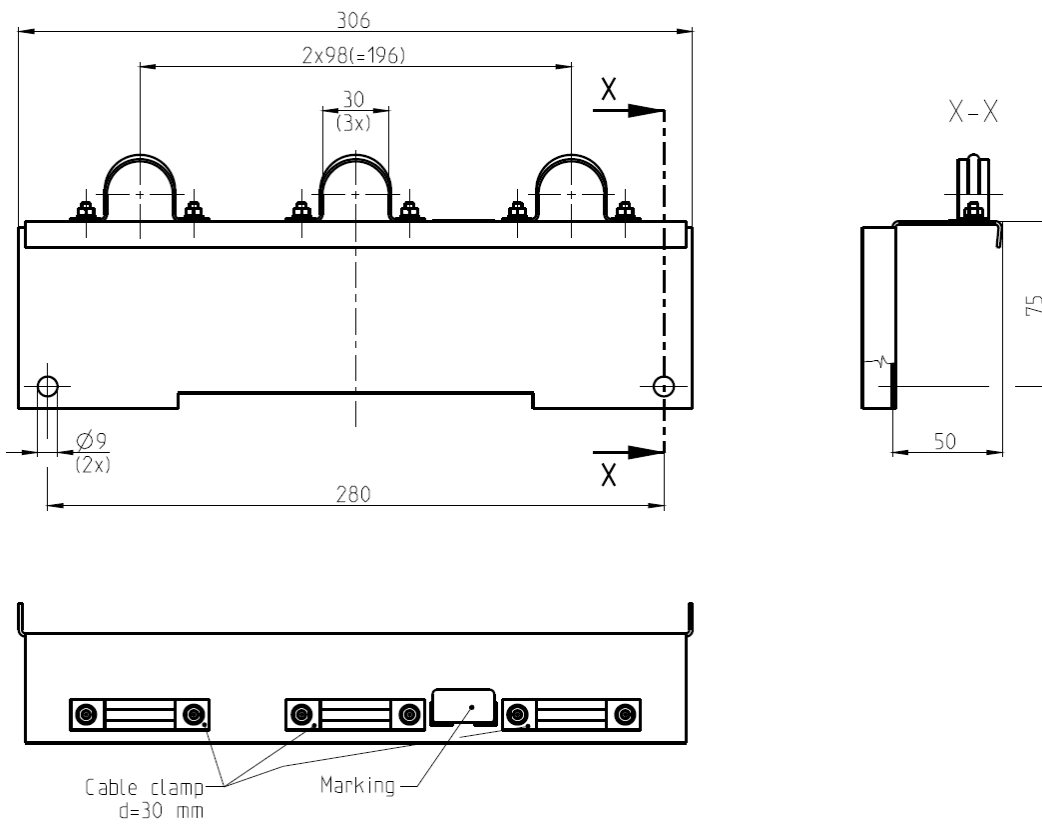
SC-P1340-B



SC-P1340-C



SC-P1340-D



SC-P1340-E

